



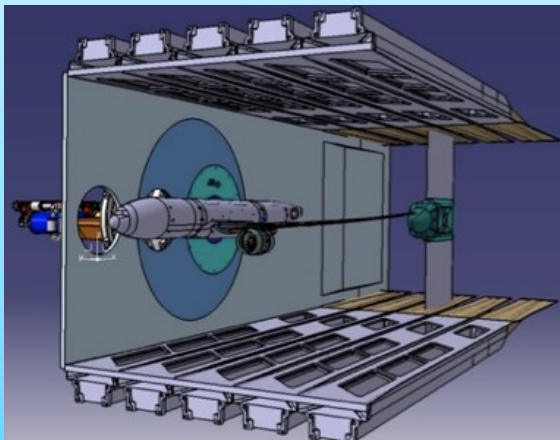
3 November 2022



IVANHOE

Installed adVAnced Nacelle uHbr Optimisation and Evaluation

Horizon 2020: Grant Agreement no. 863415



Venue

Department of industrial Engineering
UNIPD, Padua (IT)





IVANHOE



3 November 2022

Agenda:

- 9:00 - 9:30** Assembling (all)
- 9:30 - 10:40** WP3 & WP4: Engine simulator design, tests for WB, & test plan: part 2 (DNW)
- 10:40 - 11:00** Break time
- 11:00 - 12:00** WP6: Manufacture of WT model (Deharde)
- 12:00 - 13:00** Lunch Time
- 13:00 - 13:50** WP9: Simulations for WB tests (CTH)
- 13:50 - 14:40** WP9: Simulations of full-scale WBNP at cruise (HIT09)
- 14:40 - 15:00** Coffee break
- 15:00 - 16:00** WP9: Simulations of full-scale WBNP at takeoff (TUBS)
- 16:00 - 16:30** Wrap-up

Topic Manager:

Christopher Sheaf

How arrive:

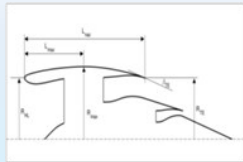
- * [Flights](#)
- * [Airport - Padua transfer](#)

Where to stay:

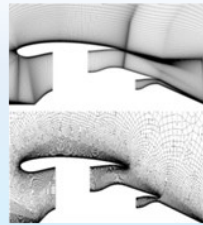
- * [Near meeting location](#)
- * [Near Prato della Valle](#)
- * [Near city center](#)

Padua main tourist attractions:

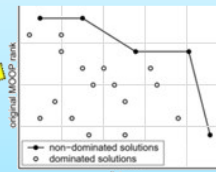
- * [Prato della Valle](#)
- * [Scrovegni Chapel](#)
- * [Other ..](#)



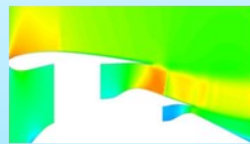
Geometric variables



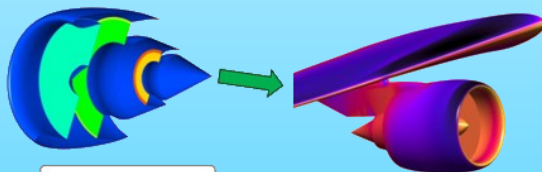
CFD models



GA optimisation



2D geometry



3D reconstruction



Wing Installation

